



PRODUCTS CATALOG

ELECTRICAL ENCLOSURES & MODULAR CABINETS



20

exmweb.com

NEMA 4X ENCLOSURES

5412 EALM

ALUMINIUM JIC ENCLOSURES (BOLTED FEET)

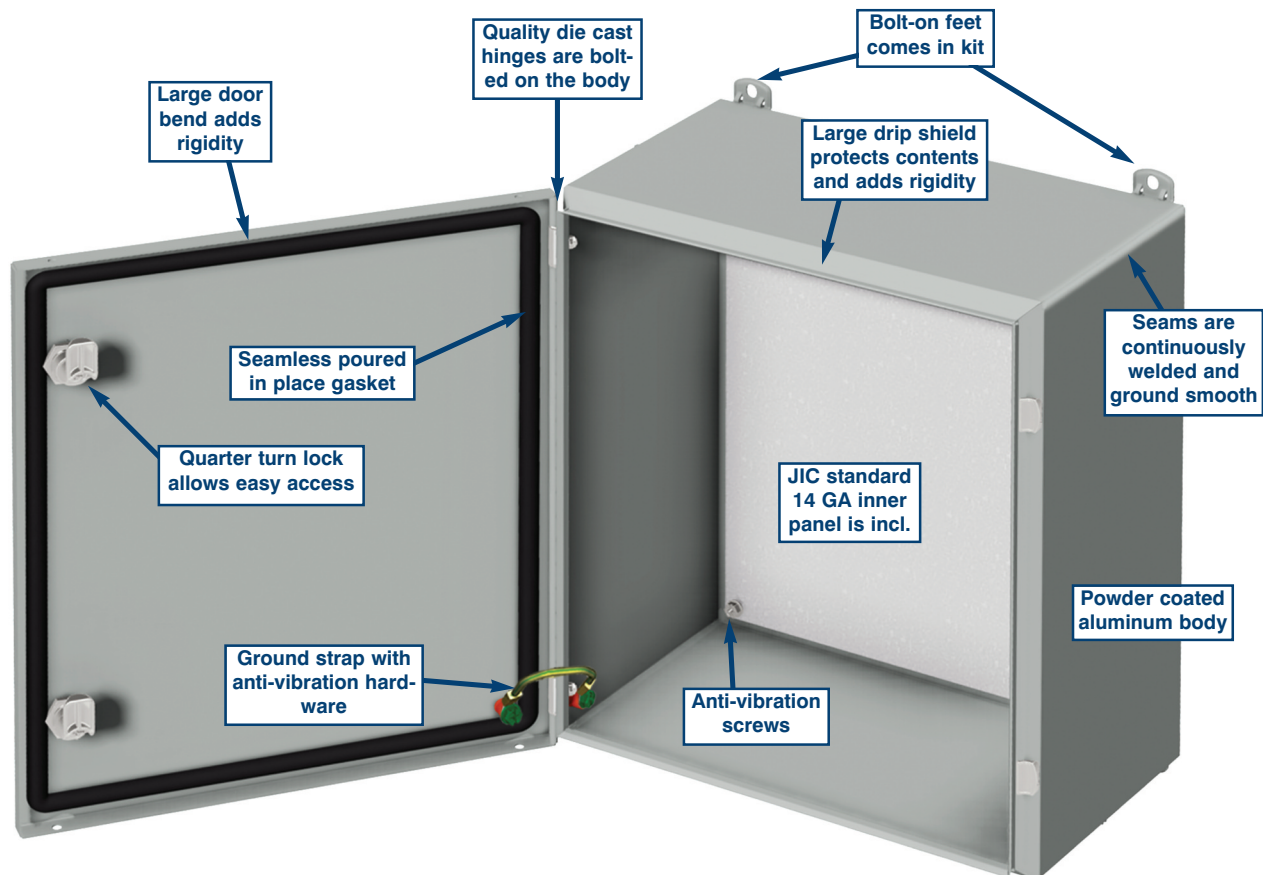
The 5412 EALM are used indoors or outdoors to protect the enclosed controls from dust, dirt, oil and water splashing. The 5412 EALM are made of high quality 0.063" (Type 5052 H - 32) aluminium, with continuously welded corner seams. The opening has a curled lip around all sides to increase rigidity and prevent dripping water from entering the enclosure when the door is open. A high quality, robotically poured-in-place, seamless gasket

ensures a complete and durable water tight seal. The enclosures feature die cast hinges, which are bound to the cover by an exclusive concealed hinge pin system. The covers are interchangeable and can be removed by unfastening the antivibration lock nuts. **EXM's exclusive ¼ turn locking system** ensures positive closing. **Each enclosure comes complete with a 14 GA galvanized inner panel**, which mounts on welded nuts. Enclosures are fin-

ished with heat fused powder paint, electrostatically applied on a pretreated base. Box is AINSI/ASA 61 smooth gray. Inner panel is galvanized (other colors available).

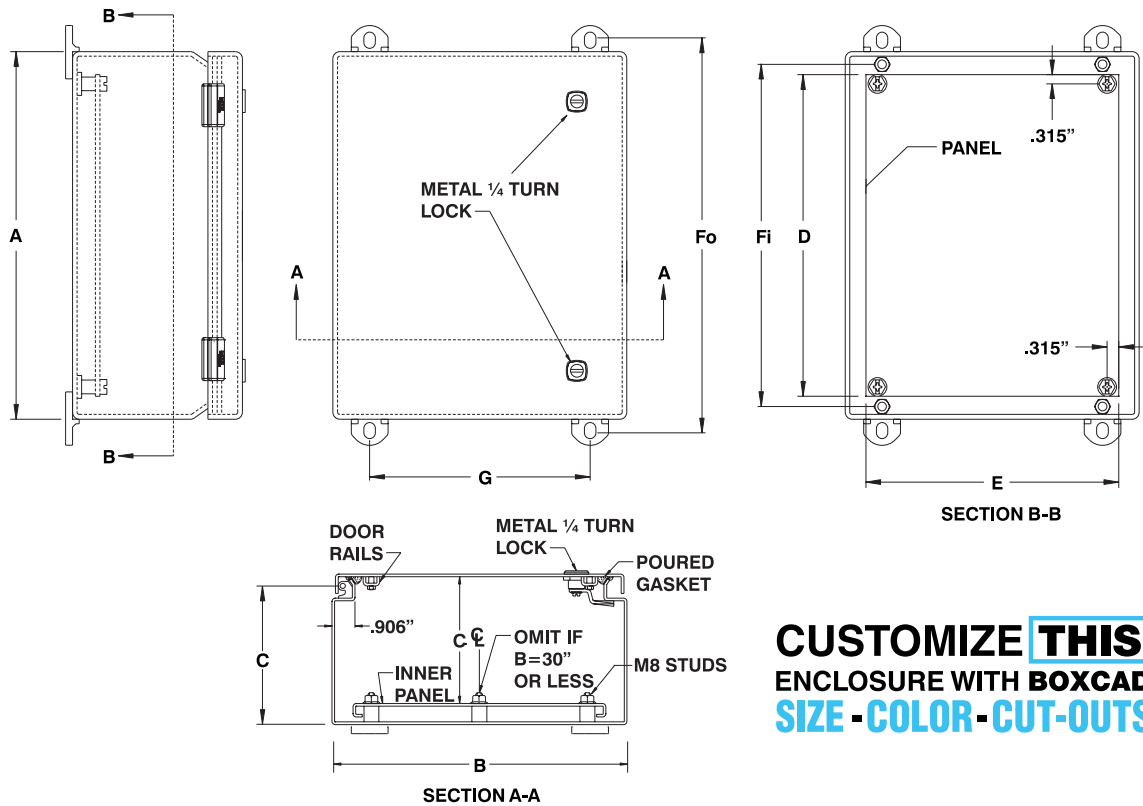
**CSA Certified / UL Listed
NEMA/EEMAC 4X / IP66**

Refer to p.734 to validate choice of substrate for the application



338





CUSTOMIZE THIS
ENCLOSURE WITH **BOXCAD**
SIZE - COLOR - CUT-OUTS

CATALOG NUMBER	DIMENSIONS								SHIP WGT LBS.
	A	B	C	D	E	Fo	Fi	G	
5412 EALM040403	4	4	3	No.Pan.	No.Pan.	4.75	3.312	2	2
5412 EALM060403	6	4	3	4.88	2.88	6.75	5.312	2	3
5412 EALM060404	6	4	4	4.88	2.88	6.75	5.312	2	4
5412 EALM060604	6	6	4	4.88	4.88	6.75	5.312	4	5
5412 EALM080604	8	6	4	6.88	4.88	8.75	7.312	4	6
5412 EALM080804	8	8	4	6.88	6.88	8.75	7.312	6	8
5412 EALM081004	8	10	4	6.88	8.88	8.75	7.312	8	10
5412 EALM100804	10	8	4	8.88	6.88	10.75	9.312	6	10
5412 EALM120604	12	6	4	10.88	4.88	12.75	11.312	4	8
5412 EALM060605	6	6	5	4.88	4.88	6.75	5.312	4	6
5412 EALM080605	8	6	5	6.88	4.88	8.75	7.312	4	7
5412 EALM101005	10	10	5	8.88	8.88	10.75	9.312	8	14
5412 EALM101205	10	12	5	8.88	10.88	10.75	9.312	10	16
5412 EALM121005	12	10	5	10.88	8.88	12.75	11.312	8	16
5412 EALM121205	12	12	5	10.88	10.88	12.75	11.312	10	18
5412 EALM080606	8	6	6	6.88	4.88	8.75	7.312	4	7
5412 EALM100806	10	8	6	8.88	6.88	10.75	9.312	6	12
5412 EALM101006	10	10	6	8.88	8.88	10.75	9.312	8	14
5412 EALM121206	12	12	6	10.88	10.88	12.75	11.312	10	18
5412 EALM121406	12	14	6	10.88	12.88	12.75	11.312	12	19
5412 EALM140806	14	8	6	12.88	6.88	14.75	13.312	6	10
5412 EALM141206	14	12	6	12.88	10.88	14.75	13.312	10	19
5412 EALM141606	14	16	6	12.88	14.88	14.75	13.312	14	23
5412 EALM161006	16	10	6	14.88	8.88	16.75	15.312	8	19
5412 EALM161206	16	12	6	14.88	10.88	16.75	15.312	10	21
5412 EALM161406	16	14	6	14.88	12.88	16.75	15.312	12	23
5412 EALM121008	12	10	8	10.88	8.88	12.75	11.312	8	16
5412 EALM141208	14	12	8	12.88	10.88	14.75	13.312	10	20
5412 EALM161208	16	12	8	14.88	10.88	16.75	15.312	10	25
5412 EALM161408	16	14	8	14.88	12.88	16.75	15.312	12	26
5412 EALM161410	16	14	10	14.88	12.88	16.75	15.312	12	27



p.565 p.534

